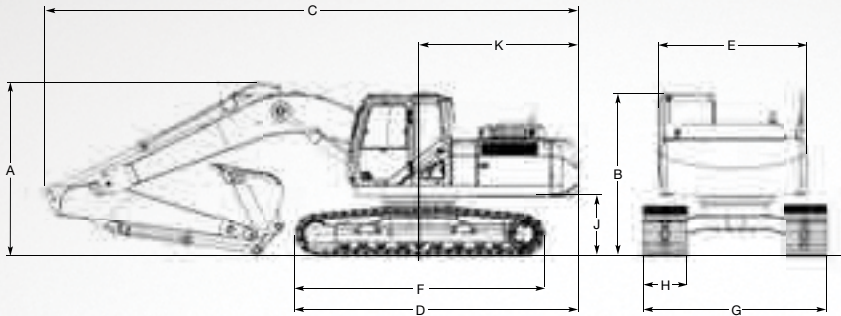


CX210C



Line drawings are for illustrative purpose only and may not be exact representation of unit.

DIMENSIONS	CX210C	CX210C Narrow
A. Overall Height – With Attachment	9 ft. 10 in. (3.00 m)	9 ft. 11 in. (3.02 m)
B. Cab Height	9 ft. 10 in. (3.00 m)	9 ft. 11 in. (3.02 m)
C. Overall Length – With Attachment	30 ft. 9 in. (9.38 m)	31 ft. 1 in. (9.48 m)
D. Overall Length – Without Attachment	16 ft. 3 in. (4.96 m)	16 ft. 7 in. (5.06 m)
E. Width Of Upperstructure	9 ft. 1 in. (2.77 m)	8 ft. 4 in. (2.54 m)
F. Track Overall Length	14 ft. 8 in. (4.47 m)	14 ft. 8 in. (4.47 m)
G. Track Overall Width	10 ft. 6 in. (3.19 m)	8 ft. 6 in. (2.59 m)
H. Track Shoe Width	31.5 in. (0.80 m)	23.6 in. (0.60 m)
J. Upperstructure Ground Clearance	3 ft. 5 in. (1.04 m)	3 ft. 6 in. (1.06 m)
K. Rear Tail Swing Radius	9 ft. 0 in. (2.75 m)	9 ft. 3 in. (2.83 m)

SPECIFICATIONS	CX210C	CX210C Narrow
Engine	Isuzu AM-4HK1X	Isuzu AM-4HK1X
Emissions Rating	Tier 4 Interim (Cooled EGR)	Tier 4 Interim (Cooled EGR)
Displacement – in. ³ (L)	317 (5.2)	317 (5.2)
Cylinders	4-cylinder in line	4-cylinder in line
Net hp (kW) @ 1800 RPM	160 (119.3)	160 (119.3)
Swing Speed – RPM	11.8	11.8
Bucket Digging Force – lb. (kN)	34,171 (152)	34,171 (152)
Arm Digging Force – lb. (kN)	24,729 (110)	24,729 (110)
Operating Weight – lb. (kg)	47,800 (21 628)	50,878 (23 078)
Max. Dig Radius @ Ground Line	32 ft. 6 in. (9.90 m)	32 ft. 6 in. (9.90 m)
Max. Digging Depth	21 ft. 10 in. (6.65 m)	21 ft. 9 in. (6.62 m)
Swing Torque – lb.-ft. (N-m)	47,200 (64 000)	47,200 (64 000)
Drawbar Pull – lb. (kN)	42,625 (188)	42,625 (188)

Protected by

ProCare

The CX210C comes standard with the industry's first all-in-one heavy machine support program that's as powerful as the equipment it protects – CASE ProCare. ProCare includes:

3K 3-year/3000-hr. Full-Machine Factory Warranty*.

We've got your back – for up to three full years!

3-year/3000-hr. Planned Maintenance.

Don't spend another dime for scheduled care from factory-trained CASE technicians.

3-year SiteWatch™ Subscription.

Telematics isn't a luxury, it's a necessity – and we've made it accessible to all.

*See your dealer for the complete terms of CNH's Warranty and Limitation of Liability, which contains certain limits and exclusions.

SmartFit™ Bucket Teeth.

CX210C buckets come standard with the innovative SmartFit bucket tooth system. These heavy-duty, self-sharpening teeth combine exceptional strength and unmatched ease of installation thanks to a hammerless fastener system with reusable locking pins. Available in a full range of styles.



©2013 CNH America LLC. All rights reserved. CASE is a registered trademark and SiteWatch is a trademark of CNH America LLC. Any trademarks referred to herein, in association with goods and/or services of companies other than CNH America LLC, are the property of those respective companies.

Printed in U.S.A.

Form No. CCE201311CX210C



Always read the operator's manual before operating any equipment. Inspect equipment before using it, and be sure it is operating properly. Follow the product safety signs and use any safety features provided.

All engines meet current EPA emission regulations.

All specifications are stated in accordance with SAE standards or recommended practices, where applicable.



IMPORTANT: CASE Construction Equipment Inc. reserves the right to change these specifications without notice and without incurring any obligation relating to such change. Availability of some models and equipment builds vary according to the country in which the equipment is used. The illustrations and text may include optional equipment and accessories and may not include all standard equipment. Your CASE dealer/distributor will be able to give you details of the products and their specifications available in your area.



CASE construction equipment is biodiesel friendly.